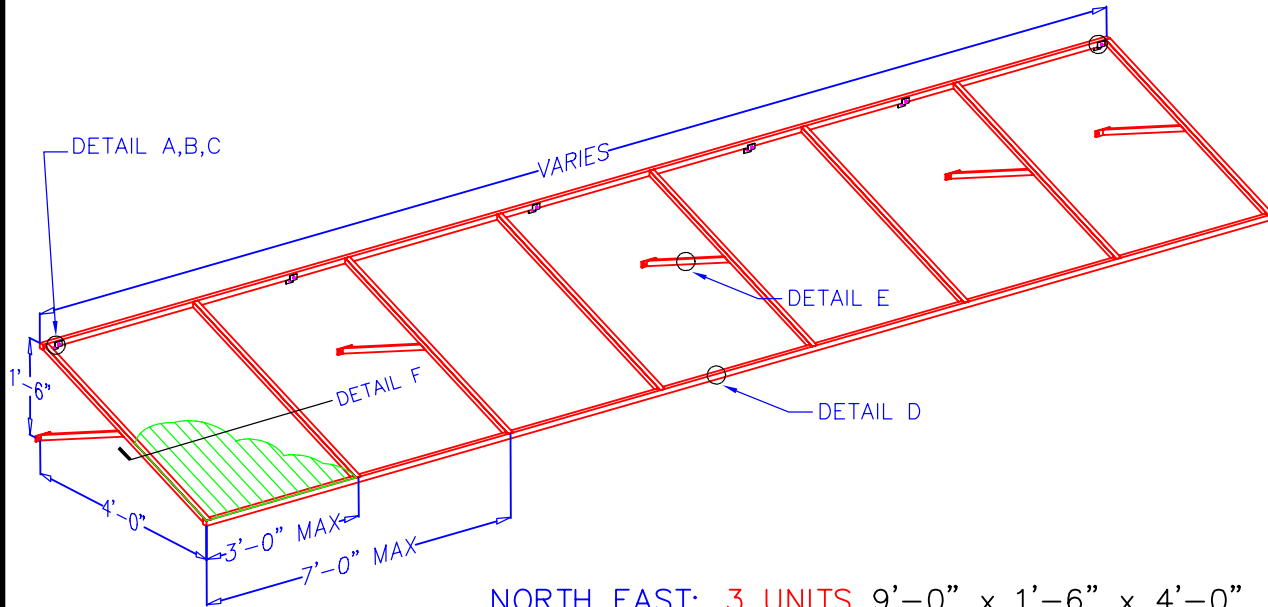
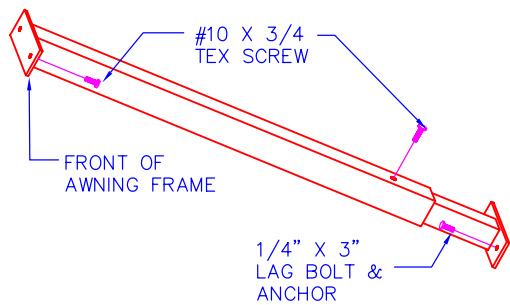
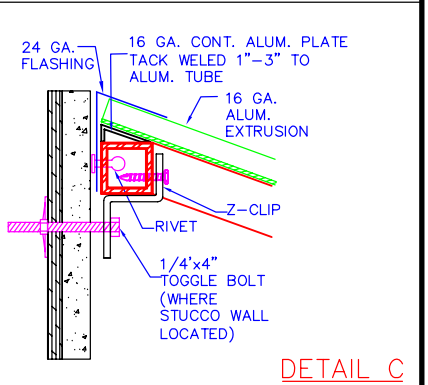
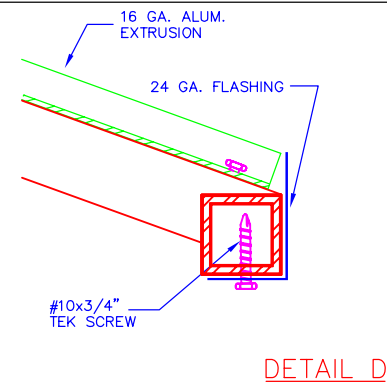
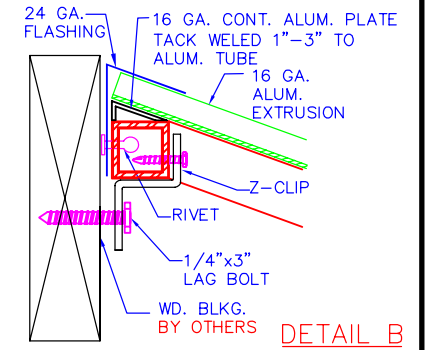
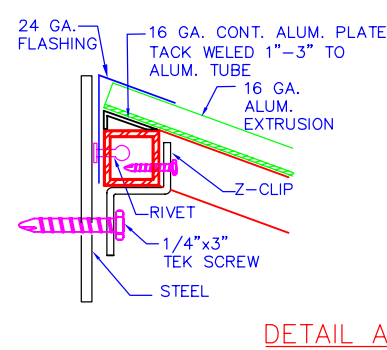


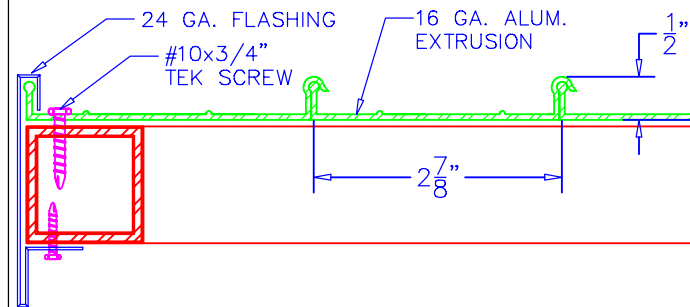
FRAME: 1" SQ. x 1/8" WALL ALUM. TUBES 6063-T5
 COVER: 16 GA. ALUM. EXTRUSION.
 ALL POWDER COATED FINISH. COLOR: TO BE SELECTED BY CUSTOMER.
 ALL DIMENSIONS: VERIFY IN FIELD.



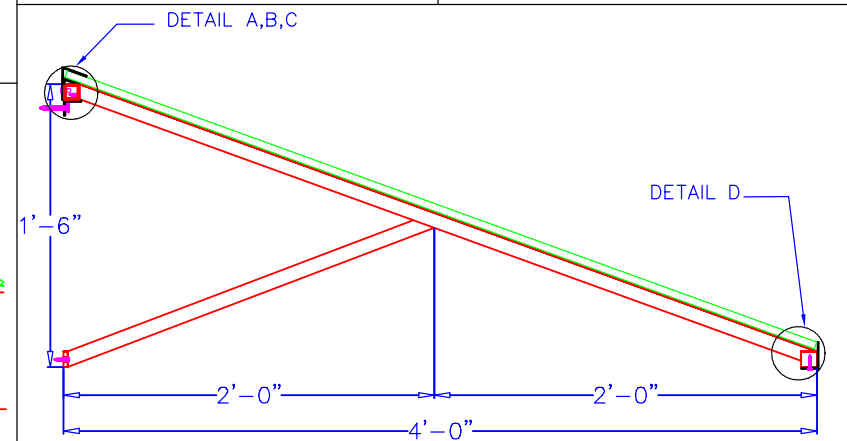
NORTH EAST: 3 UNITS 9'-0" x 1'-6" x 4'-0"
SOUTH EAST: 1 UNIT 19'-0" x 1'-6" x 4'-0"



DETAIL E



DETAIL F



CANOPY SECTION

B & C AWNINGS, INC.
 3082 EAST MIRALOMA AVE.
 ANAHEIM, CA. 92806
 TEL: (714) 632-3303
 FAX: (714) 632-5632

JOB NAME: STARBUCKS
 2032 RIVERSIDE AVE.
 RIALTO, CA.
 CONSTRUCTOR : ---

DATE: -/-/
 DRAWING BY : ---
 SHEET NO: -/-

THESE DRAWINGS ARE PRESENTED IN ORDER TO MORE PERFECTLY AGREE, THEIR PURPOSE IS TO DEFINE IN DETAIL B&CS SCOPE OF THE CONTRACT. THEY BECOME THE FINAL DEFINITIVE AGREEMENT AND COMPLETE INVENTORY B&C AWNINGS, INC. CONTRACT TO PROVIDE AND BUYER AGREES TO BUY. THEY SUPERSEDE ALL OTHER SPECIFICATIONS OR PLANS PRIOR TO THE APPROVAL DATE NOTE, BY APPROVING AND DATING THESE DRAWINGS, BUYER AGREES TO THESE STATEMENTS, ACKNOWLEDGES THAT ANY FUTURE UNRESOLVED DESPITE RESULTING IN LITIGATION WILL BE ADDRESSED IN THE ORANGE COUNTY CALIFORNIA COURT JURISDICTIONS AS THE FORUM.