

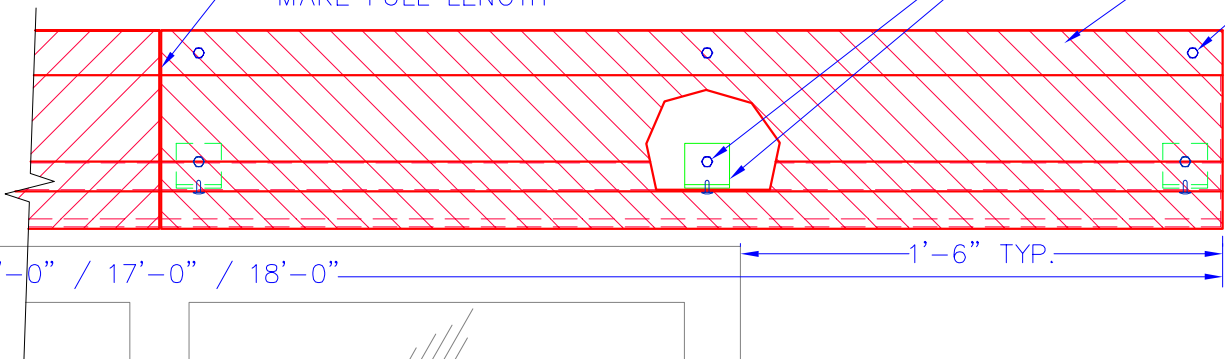
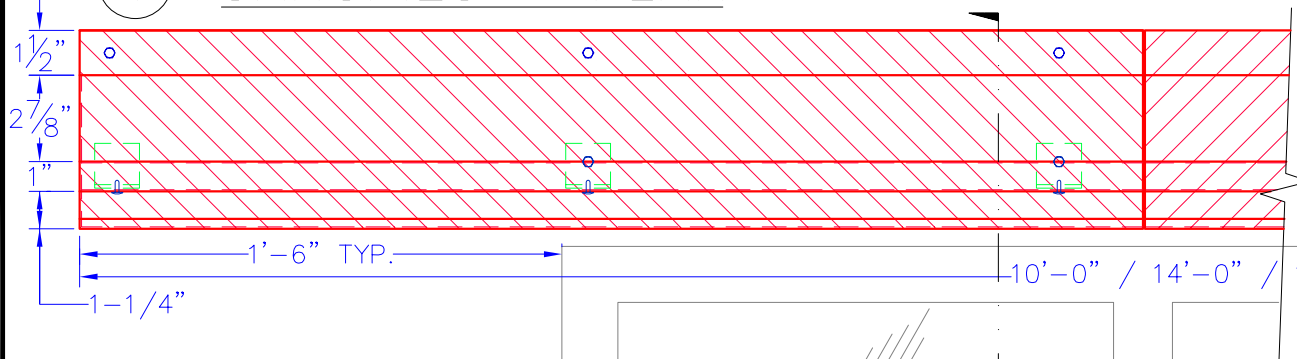
EXTERIOR CEMENT PLASTER ON EXT. STUCCO SHEATHING

1-1/2"X1-1/2"X1/4" STL. ANGLE, 1-1/2" WD. @ 2'-0" O.C. MAX. W/ 1/4"ØX2" TEK SCREW

16 GA. G.I. CANOPIES (CLOSED ENDS)

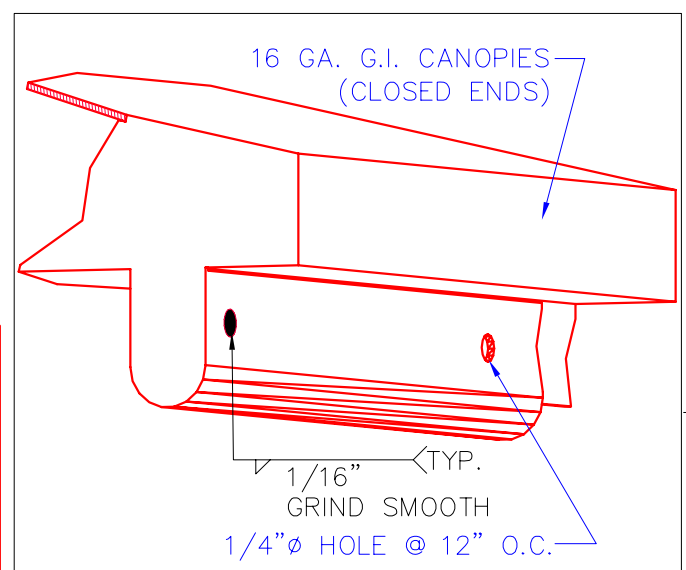
1/4"ØX2" TEK SCREW @ 2'-0" O.C. MAX.

① CANOPIES - PLAN

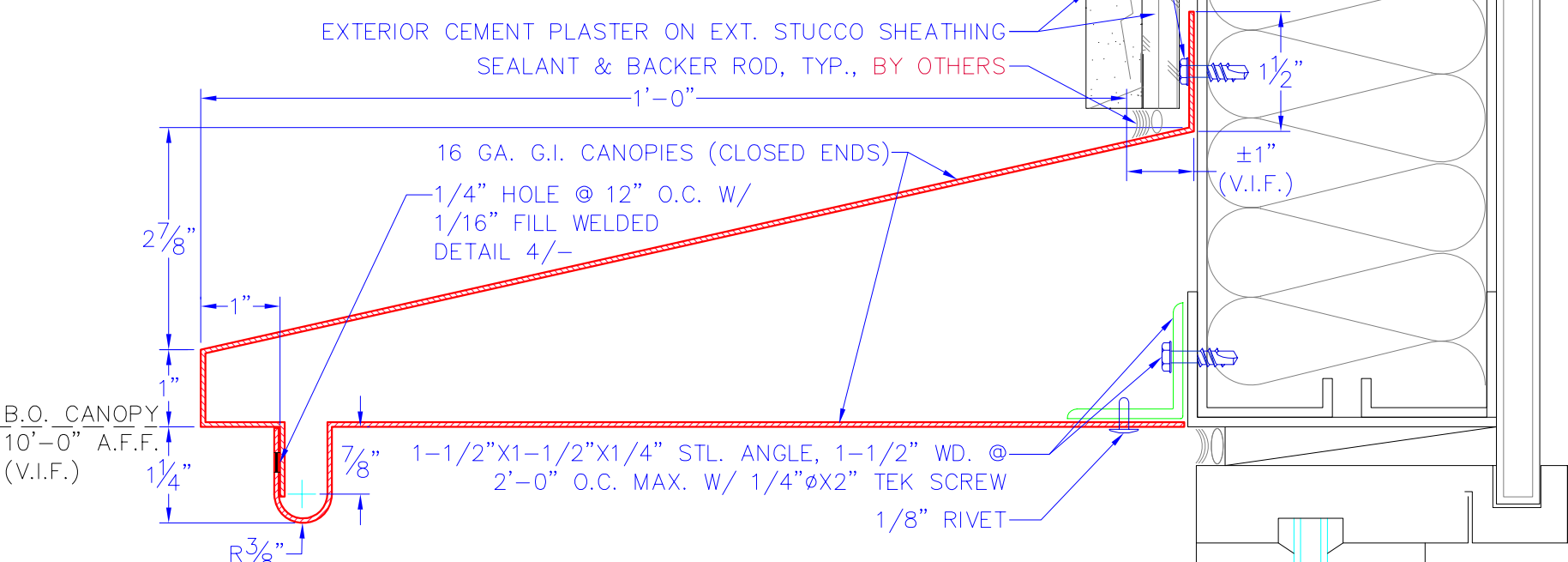


② CANOPIES - ELEVATION.

- SOUTH WEST:**
 1-UNIT: 18'-0" X 1'-1" X 3'-7/8"
 2-UNITS: 10'-0" X 1'-1" X 3'-7/8"
- NORTH EAST:**
 1-UNIT: 14'-0" X 1'-1" X 3'-7/8"
 1-UNIT: 15'-0" X 1'-1" X 3'-7/8"
 1-UNIT: 17'-0" X 1'-1" X 3'-7/8"
- SOUTH EAST:**
 1-UNIT: 14'-0" X 1'-1" X 3'-7/8"



④ DETAIL



③ CANOPY SECTION

NOTES: UNLESS OTHERWISE SPECIFIED.
 -FRAME: 16 GA. GALVANIZED IRON & STL. ANGLE 1-1/2"X1-1/2"X1/4"X1-1/2" WD.
 -FINISH: POWDER COATED RAL 7047 OR EPOXY TO MATCH RAL 7047.
 -ALL FASTENERS SHALL BE ZINC-PLATED.
 -ALL DIMENSIONS: VERIFY IN FIELD.
 -INSTALLATION OF CONTINUOUS BACKING/BLOCKING TYPE / LOCATION/SIZE - ENGINEERED - BY OTHERS.